




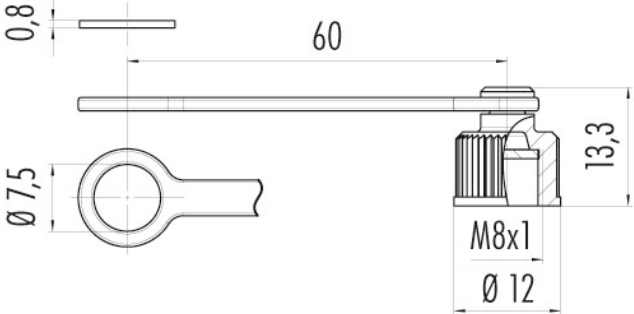

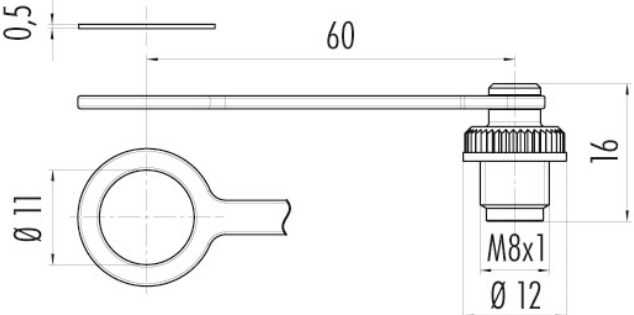
718 Series – Protective Caps for M8 Panel Mount Connectors



- for male and female panel mount connectors to be fastened from the front
- strap to be fixed at the connector
- including grommet between strap and hexagon nut
- IP67 when mated and locked
- captive protection cap due to strap
- space saving because the strap has been integrated into the connector geometry. Less assembly effort. No need for an additional screw.
- immediately available



718 Series – Protective Caps for M8 Panel Mount Connectors

Description/ picture	Dimensional drawing	Order No.
<p>Protective cap with strap for male M8 panel mount connectors (front fastened)</p> 		<p>08-2972-000-000</p>
<p>Protective cap with strap for female M8 panel mount connectors (front fastened)</p> 		<p>08-2973-000-000</p>